

Meta Trak T. 42

Telematic Platform Description 02-19



Meta Trak T. 42



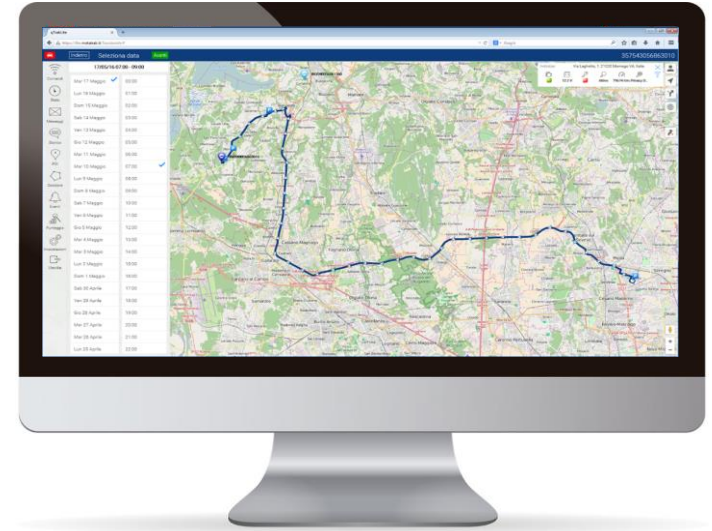
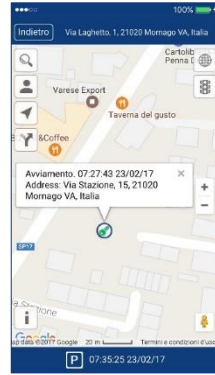
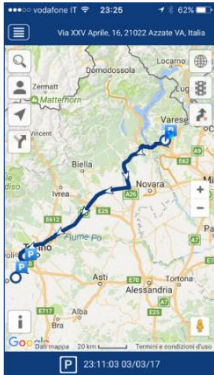
Meta Trak T.342 is an innovative **Telematic device** that interact with your Tablet/Smartphone



by **Mobile App**, or by the Web site using the **Meta Trak web portal**



Meta Trak T. 42



The T. 42 telematics unit represents Meta System's state-of-the-art, general purpose solution, with a compact outline and:

- 3 wires connection waterproof.
- 2G/3G/4G mobile communication GNSS, SIM on chip (worldwide).
- one 3-axes accelerometer.
- one 6-axes gyros with accelerometer, for movement detection without ignition, driver behaviors, automatic crash notification.



T. 42 General Architecture

GPS

GPRS/3G/4G

DATA BASE

CUSTOMER WEB SERVICE



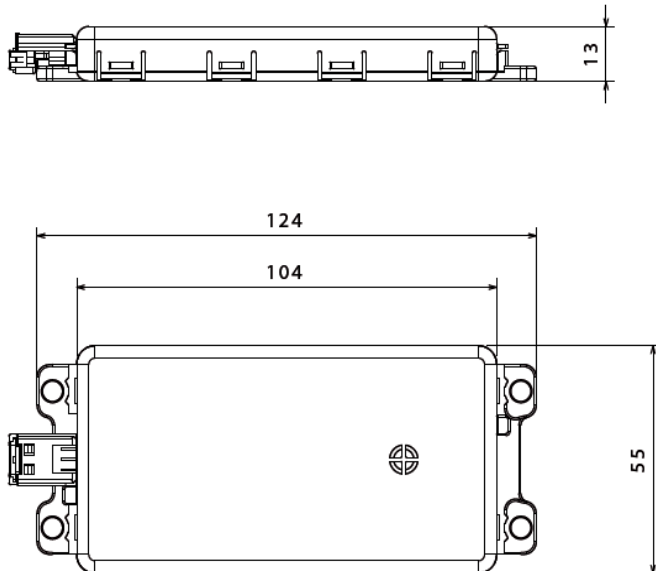
T.42 Core Product



- ✓ **The Latest GNSS technology** providing highly accurate location data
- ✓ GPS/GLONASS/GALILEO/BEIDOU reception

- ✓ **The Super Sense GNSS Receiver** extends the scope for installation locations by not requiring direct line of sight to the sky

2D DESIGN



- ✓ **Extremely compact size** provides further flexibility for covert installation

- ✓ **All-in-one design** provides greater protection against detection and simplifies installation

GNSS Global Navigation Satellite System

GPS Global Positioning System (American)

Glonass Global Navigation Satellite System (Russian)

Galileo Global Navigation Satellite System (EU)

Beidou Global Navigation Satellite System (China)

T. 42 Characteristics

TECHNICAL SPECIFICATIONS

- CPU Cortex M4
- GNSS receiver, with concurrent GPS/GLONASS/GALILEO/BEIDOU reception
- Quad-band GSM-GPRS module, Class 10 (3G version available)
- Internal GPRS Antenna & GNSS antenna
- Rechargeable Battery: 2.4V, 750mA/h NiMh
- 6-axis internal Inertial Measurement Unit (Accelerometer + Gyroscope + Motion Engine)
- 32Mbit Flash Memory (option up to 256Mbit)
- eSim M2M
- 2-color status LED
- Bluetooth Dual Mode interface (OPT)
- IP 67 protection (according to ISO-20653)
- Weight: 75 gr
- Operating Voltage: 12/24 Vdc



MAIN FEATURES

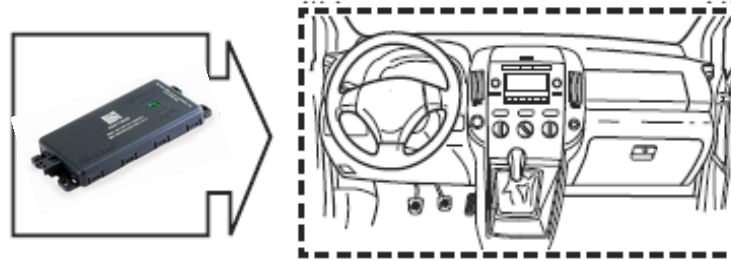
- T.42: 3-wire harness (positive, ground and +15 key)
- Up to 500.000 Tracking Points (256 Mbit memory)
- Programmable periodic wake-up
- Back-up battery
- Built-in patented algorithm for run & stop detection
- Built-in patented algorithm for crash detection
- Accurate driver behaviour monitoring
- FOTA
- Geo fencing

HOMOLOGATIONS

- ECE-R10
- RED 2014/53/EU



T. 42 Connections



1
Pulire accuratamente
la superficie
di fissaggio.



2
Rimuovere la
pellicola del
biadesivo che
si trova sotto al
dispositivo.



3
Applicare e premere
con forza per
10 secondi.



P/N ABT08050

RED wire – Positive + 12 V.

ORANGE wire – Ignition Key

BLACK wire – GND

Bluetooth Accessories



B3.1

Bluetooth Module.

The module is equipped of 1 build-in relay to cut off either the starter engine or the fuel pump. Waterproof (epoxy resin inside).



B3.2

Bluetooth Module.

The module is equipped of 2 build-in relays to cut off the starter engine and the fuel pump. Waterproof (epoxy resin inside).



B4.1

Bluetooth Module.

The module is equipped of 1 build-in relay to cut off either the starter engine or the fuel pump. Output for external relay to drive horn or blinker. Input for connection with the alarm device.



B9.1

Bluetooth Module.

The module is a keyless transmitter used for the driver authorization, paired with a telematic device.



B10

Bluetooth Module.

Wireless Panic Button for emergency situation.

Why Meta Trak ?

Why choose **Meta Trak** **T.42** ?

- ✓ Extreme small dimensions
- ✓ Very aggressive price
- ✓ Fast installation (*5 / 15 minutes.*)
- ✓ Low management costs
- ✓ Customized mobile App.



Meta Trak **T.42**

The Awareness of Having Full Control on All Connected Vehicles



Sergio Tornetta

Automotive Division

Telematics - Safe & Security

Sales Director EU